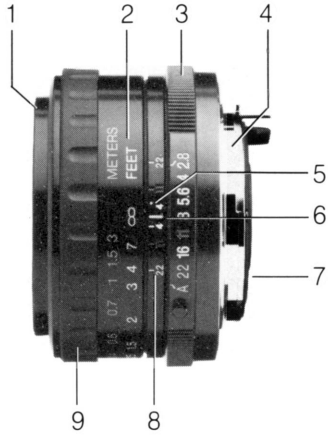


# Vivitar

---

28mm f2.8



# Controls and Components

---

1. Accessory Thread
2. Distance Scale
3. Aperture Ring
4. Lens Mount
5. Infrared Index Mark
6. Distance and Aperture Index Line
7. Lens Mounting Alignment Dot
8. Depth of Field Scales
9. Focus Control

## Specifications

---

**Focal Length:** 28mm

**Aperture Range:** f/2.8 — f/22

**Optical Construction:** 5 elements in 5 groups, multicoated

**Angle of Acceptance:** 75°

**Minimum Focusing Distance:** 0.23 m (9.05 in.)

**Maximum Reproduction Ratio:** 1:5

**Length:** 38.5 mm (1.51 in.)

**Weight:** 165 g (5.8 oz.)

**Maximum Barrel Diameter:** 63.5 mm (2.5 in.)

**Accessory Size:** 49mm

Specifications subject to change without notice. Length and weight may vary slightly depending on lens mount.

# Vivitar

