

Vivitar

Illustrated Parts List



Automatic TX Zoom Lens

35-105mm f/3.5 (UMZ35)

Publication No. 3746073 / October 1977
Revision A April 1981

This publication consists of the following pages:

Page	Revision	Date
Front Cover	A	4/81
Page A	A	4/81
i, ii	A	4/81
1	A	4/81
2 – 3	Orig	10/77
4 – 6	A	4/81

HOW TO USE THIS PUBLICATION

HOW TO FIND PART ORDER NUMBERS

Parts are illustrated on exploded view drawings where each part is identified by a reference number or designator. These reference numbers appear in sequence in the parts lists where they are cross-referenced to the part numbers and descriptions.

When a part is not available separately it will be so indicated by a footnote and can be obtained by ordering the assembly containing it. The part number of that assembly may be shown immediately to the right on the same line in an "Included in Assembly" column or at the end of the parts list(s).

In parts lists for lens items, quantities of each item are listed as used in the different lens mounts. The mounts are referred to as:

U = Vivitar Thread Mount	K = Konica Autoreflex Series Mounts
N = Nikon Mounts	O = Olympus OM Series Mount
M = Minolta Mounts	P = Pentax K Mounts
C = Canon Mounts	

Note that many parts are common to more than one mount. This commonality is shown in the Complete Parts List at the end of the manual so that the service centers desiring to stock replacement parts can order economically.

CAUTION

This publication is intended for use by persons having skills and equipment needed to service the subject product(s) safely and correctly. Users are cautioned that special tools and/or test equipment may be required for proper disassembly, reassembly, alignment, or adjustment or damage to the product may result.

Notice: Information contained herein is subject to change without notice.

HOW TO ORDER PARTS

Please furnish the model number and serial number of the product for which parts are being ordered. For each part requested, please supply part number, description, and required quantity. Mail or phone parts orders to:

U.S.A.

Vivitar Corporation
Central Parts Service
2700 Pennsylvania Avenue
Santa Monica, CA 90406
Tele: (213) 829-3672
or (213) 870-0181

CANADA

Vivitar Canada Ltd/Ltee
5211 Creekbank Road
Mississauga, Ontario, L4W1R3
Canada
Tele: (416) 624-1761

BELGIUM

Vivitar Belgium, S.A.
29, Passage International
Boite 35
1000 Brussels, Belgium
Tele: 2 2191277
or 2 2191383

FRANCE

Vivitar France, S.A.
41-43 Rue de Villeneuve
Silic 197
94563 Rungis, France
Tele: 687-3235

WEST GERMANY

Vivitar Photo-Elektronik, GmbH
Vivitar Strasse 7-9
6238 Hofheim T/S
West Germany
Tele: 06192/7040

HOLLAND

Vivitar B.V.
Postbus 168
NL3640 AD
Mijdrecht, Holland
Tele: (02979) 2001

UNITED KINGDOM

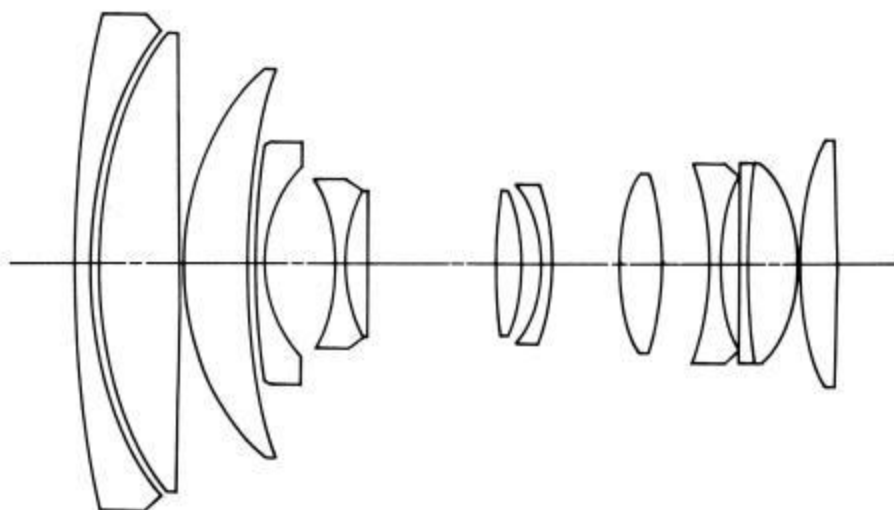
Vivitar U.K. Ltd
Vivitar House
Ashville Trading Estate
Nuffield Way
Abingdon, Oxon LX14 1RP
United Kingdom
Tele: (0235) 26600

ASIA, OCEANIA, AFRICA, MIDDLE EAST, CARIBBEAN, LATIN AMERICA

Vivitar Japan Ltd
Marusho Bldg., 6th Floor
12 Yotsua 3-Chome
Shinjuku-Ku
Tokyo 160, Japan
Tele: 357-6021

CONTENTS

<u>Subject</u>	<u>Page</u>
INTRODUCTION AND IDENTIFICATION	1
GENERAL SPECIFICATIONS	1
SERVICE NOTES	1
EXPLODED VIEWS	2-3
PARTS LIST	4-6



INTRODUCTION AND IDENTIFICATION

This manual is the Illustrated Parts List for the Vivitar 35-105mm f/3.5 Automatic TX Zoom Lens. This lens is designed to be mated with Vivitar TX Adapters to fit various camera bodies. Parts data for the TX adapters can be found in Vivitar Publication Number 3746017 "Automatic TX Lens System Lenses and Adapters". The 35-105mm f/3.5 Automatic TX Lens is a variation on the design of the Vivitar 35-105mm f/3.5 Automatic Fixed Mount Lens (Model MZ35) and used the same optical parts and most of the same mechanical parts. The principal differences being in the mount areas.

This lens is marketed under Vivitar Stock Number 0353227. Vivitar Part Number 3900351 has also been assigned to identify the exact configuration of the lens presented in the manual.

GENERAL SPECIFICATIONS

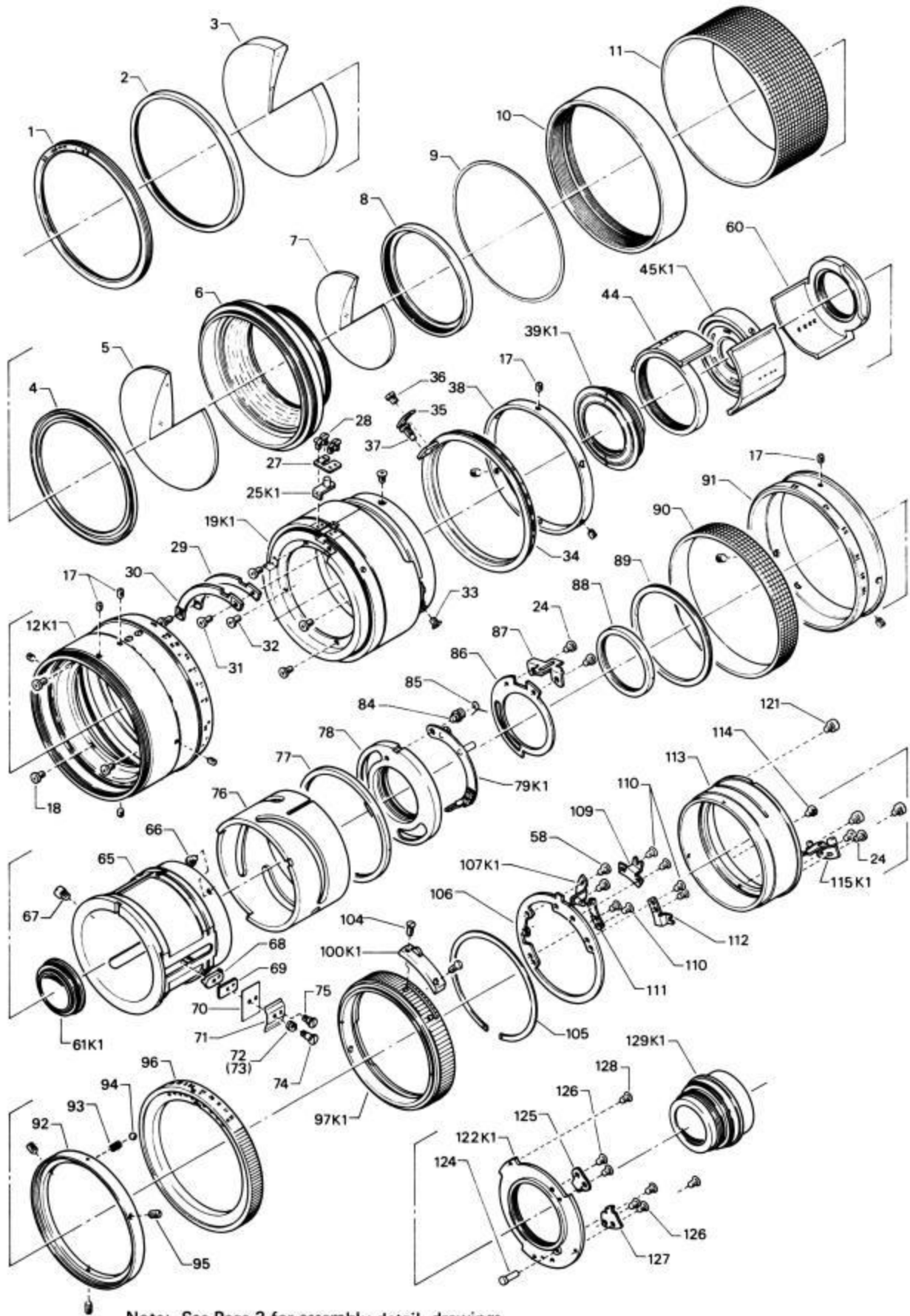
Optical Construction	13 elements in 11 groups
Angles of Acceptance	63 degrees to 23 degrees
Aperture Range	f/3.5 to f/16
Minimum Focusing Distance From Film Plane	Zoom Mode: 1.4M (4.5 ft.) Close Focus Mode: 29cm (11.4 in.)
Weight	700 g (24.7 oz.)
Length at Infinity	101mm (4 in.)
Maximum Barrel Diameter	75mm (3 in.)
Accessory Size	72mm
Slip-On Lens Cap Size	75mm

Specifications subject to change without notice.

SERVICE NOTES

This revision incorporates the part number corrections in Service Bulletin No. 3002063.

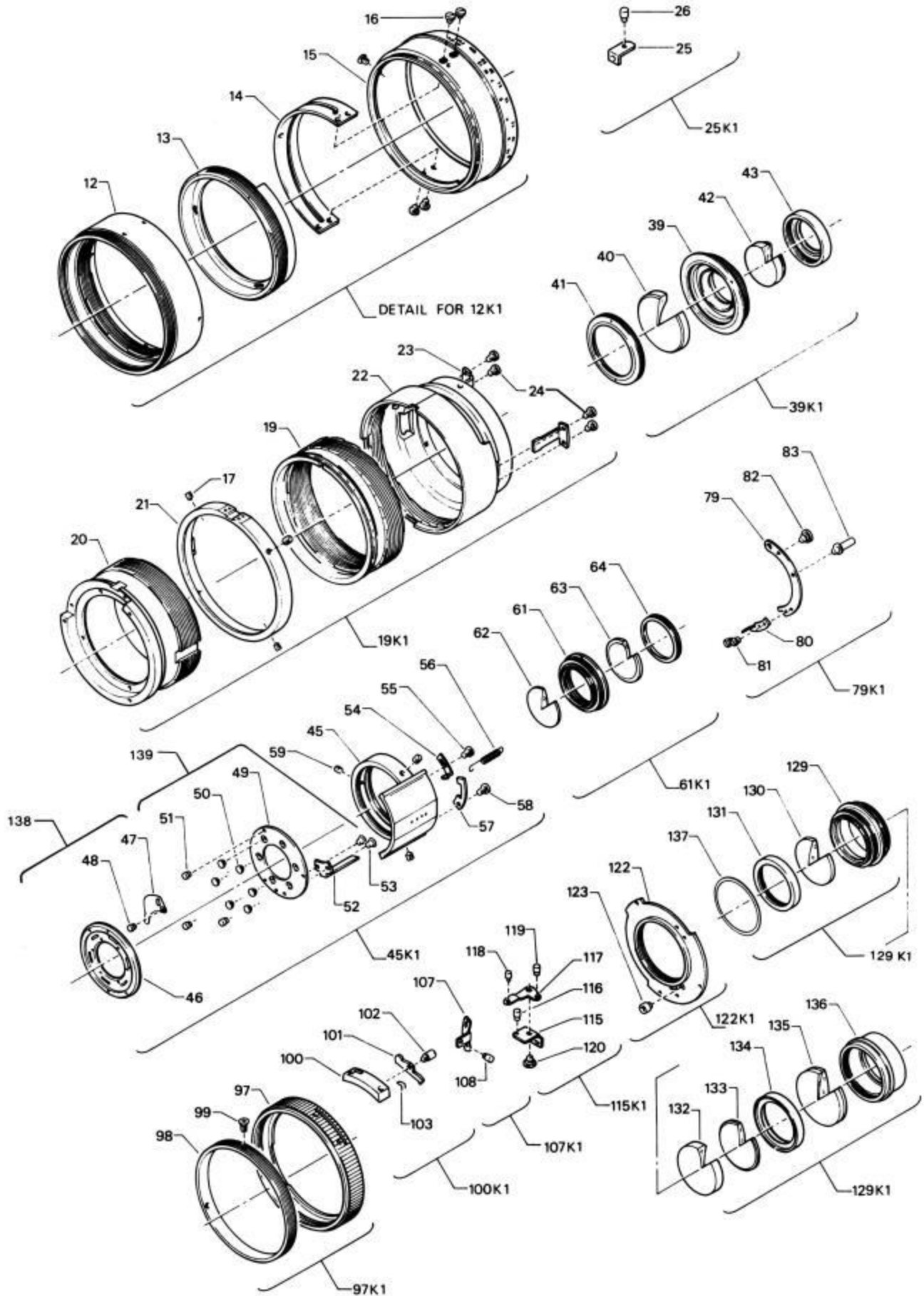
Automatic TX Zoom Lens
35-105mm f/3.5 (UMZ35)



Note: See Page 3 for assembly detail drawings.

Exploded View

Automatic TX Zoom Lens
35-105mm f/3.5 (UMZ35)



Exploded View, Continued

Automatic TX Zoom Lens
35-105mm f/3.5 (UMZ35)

COMPLETE PARTS LIST

Ref.	Vivitar Part No.	Description	Part Code	Quantity
1	3517400	RING, NAME	UMZ35-18	1
2	3517401	RING, RTNG, 1ST LENS ELEMENT	UMZ35-2	1
3	3517402	LENS ELEMENT, 1ST	UMZ35-G1	1
4	3517403	SPACER, 1ST/2ND LENS ELEMENT	UMZ35-3	1
5	3517404	LENS ELEMENT, 2ND	UMZ35-G2	1
6	3517405	HOUSING, 1ST LENS GROUP	UMZ35-1	1
7	3517406	LENS ELEMENT, 3RD	UMZ35-G3	1
8	3517407	RING, RTNG, 3RD LENS ELEMENT	UMZ35-4	1
9	3517408-1	SPACER, FOCUS, 0.05	UMZ35-19	A/R
9	3517408-2	SPACER, FOCUS, 0.1	UMZ35-19	A/R
9	3517408-3	SPACER, FOCUS, 0.5	UMZ35-19	A/R
9	3517408-4	SPACER, FOCUS, 1.0	UMZ35-19	A/R
10	3517409	RING, 1ST LENS GROUP COVER	UMZ35-17	1
11	3517410	GRIP, RUBBER	UMZ35-74	1
12K1	3517411	NORMAL FOCUS HELICOID ASSY	UMZ35-12K1	1
12	3107951	HELICOID, OUTER, NORMAL FOCUS	UMZ35-16	1
13	3107952	HELICOID, INNER, NORMAL FOCUS	UMZ35-15	1
14	3517412	CAM, CLOSE RANGE, ACTUATING	UMZ35-21	1
15	3517413	RING, FOCUS SCALE	UMZ35-20	1
16	3517414	SCREW, CAM, ATTACHING	BD74B	5
17	3512131	SETSCREW, 1.7x2.0, BLK	AD2A	15
18	3512630	SCREW, PANHD, 1.7x4.0	EDP4A	3
19K1	3517415	CLOSE FOCUSING HELICOID ASSY	UMZ35-19K1	1
19	3107953	HELICOID, MIDDLE, CLOSE FOCUS	UMZ35-29	1
20	3107954	HELICOID, OUTER, CLOSE FOCUS	UMZ35-30	1
21	3517416	RING, CLOSE FOCUS SHIFT CONTROL	UMZ35-28	1
22	3107955	HELICOID, INNER, CLOSE FOCUS	UMZ35-24	1
23	3517417	GUIDE, HELICOID	UMZ35-25	2
24	3106428	SCREW, PANHD, 1.7x2.0, BLK	EDP2A	8
25K1	3517418	SHIFT PIN ASSY	UMZ35-25K1	1
25	3107956	PLATE, SHIFT	UMZ35-26	1
26	3107957	RIVET	PR585	1
27	3517419	PLATE, SHIFT PLATE HOLDDOWN	UMZ35-27	1
28	3517130	SCREW, FLTHD, 1.4x1.5, BLK	CC1.5A	4
29	3517420	SPACER, CLOSE FOCUS CAM	UMZ35-32	1
30	3517421	CAM, CLOSE FOCUS	UMZ35-31	1
31	3517422	SCREW, PANHD, 1.4x4.0	ECP4	2
32	3512630	SCREW, PANHD, 1.7x4.0, BLK	EDP4A	4
33	3512413	SCREW, FLTHD, 1.7x3.5, BLK	CDP3.5A	3
34	3517423	RING, CLOSE FOCUS LIMIT	UMZ35-33	1
35	3517424	STOP, CLOSE FOCUS	UMZ35-76	1
36	3106485	SCREW, PANHD, 1.7x2.0	EDP2AA	1
37	3517425	SCREW, STOP	TDE36B	1
38	3517426	RING, ZOOM DRIVE	UMZ35-35	1
39K1	3517427	LENS GROUP ASSY, 2ND	UMZ35-39K1	1
39	3107958	HOUSING, 2ND LENS GROUP	UMZ35-39	1
40	3107959	LENS ELEMENT, 4TH	UMZ35-G4	1
41	3107960	RING, 4TH ELEMENT RTNG	UMZ35-41	1
42	3107961	LENS DOUBLET, 5TH/6TH ELEMENTS	UMZ35-G5/G6	1
43	3107962	RING, 5TH/6TH ELEMENTS RTNG	UMZ35-7	1
44	3517428	ZOOM HOUSING, 2ND LENS GROUP	UMZ35-36	1
45K1	3517429	DIAPHRAGM ZOOM ASSY	UMZ35-45K1	1
45	3517430	HOUSING, ZOOM, DIAPHRAGM	UMZ35-38	1
46	3517431	RING, BLADE RTNG	UMZ35-39	1
47	3107963	BLADE, DIAPHRAGM	UMZ35-44	6
48	3106832	STUD, RIVETED	PR500	6
49	3107964	RING, BLADE OPERATING	UMZ35-40	1
50	3107965	STUD, RIVETED	PR387	6
51	3106399	STUD, RIVETED, 1.0x0.9x0.4	PR16	3
52	3107966	ARM, BLADE OPERATING RING	UMZ35-41	1

COMPLETE PARTS LIST, Continued

Ref.	Vivitar Part No.	Description	Part Code	Quantity
53	3107967	RIVET, SPRING POST	PR153	2
54	3517432	SPRING HOOK	UMZ35-43	1
55	3517433	SCREW, PANHD, 1.4x2.2, BLK	ECP2.2A	1
56	3517434	SPRING, COIL, TENSION	S296	1
57	3517435	STOP, DIAPHRAGM LIMIT	UMZ35-42	1
58	3512171	SCREW, PANHD, 1.5x2.5	EDP2.5	1
59	3512547	SETSCREW, 1.7x1.75, BLK	AD1.75A	3
60	3517436	ZOOM HOUSING, 3RD LENS GROUP	UMZ35-37	1
61K1	3517437	LENS GROUP ASSY, 3RD	UMZ35-61K1	1
61	3107968	HOUSING, 3RD LENS GROUP	UMZ35-8	1
62	3107969	LENS ELEMENT, 7TH	UMZ35-G7	1
63	3107970	LENS ELEMENT, 8TH	UMZ35-G8	1
64	3107971	RING RTNG, 8TH ELEMENT	UMZ35-9	1
65	3517438	TUBE, LENS	UMZ35-14	1
66	3512573	SCREW, STOP, 1.7x1.0x0.8	BD6A	1
67	3512567	SCREW, STUD, 1.7x1.1x1.5	BD42	1
68	3517439	GUIDE, ZOOM	UMZ35-45	3
69	3517440	SPACER, BEARING	UMZ35-77	3
70	3517441	BEARING, TEFLON	UMZ35-47	3
71	3517442	SPRING, ZOOM GUIDE	UMZ35-46	3
72	3516816	ROLLER, CAM	BU59	2
73	3517028	ROLLER, CAM, NYLON	BU59A	1
74	3516817	SCREW, CAM ROLLER SHAFT	TD167A	3
75	3517030	SCREW, SHOULDER	TD197A	3
76	3517443	RING, CAM	UMZ35-22	1
77	3517444	RING, RETAINING, CAM RING	UMZ35-23	1
78	3517445	MOUNT, PRIME LENS	UMZ35-48	1
79K1	3517446	DIAPHRAGM OPERATING LEVER ASSY	UMZ35-79K1	1
79	3107972	LEVER, DIAPHRAGM TRANSFER	UMZ35-51	1
80	3107973	ARM, DIAPHRAGM TRANSFER	UMZ35-52	1
81	3512123	SCREW, STOP, 1.4x1.5	BC1.5A	2
82	3106919	STUD, RIVETED	PR160	1
83	3107023	STUD, RIVETED	PR462	1
84	3107025	RIVET, SPRING POST	PR333	1
85	3516835	SPRING, WIRE	S249	1
86	3517448	CAM, APERTURE	UMZ35-53	1
87	3517449	LUG, CAM OPERATING	UMZ35-54	1
88	3517450	RING, CAM RTNG	UMZ35-55	1
89	3517451	RING, RTNG, PRIME LENS MOUNT	UMZ35-49	1
90	3517452	GRIP, RUBBER, ZOOM RING	UMZ35-75	1
91	3517453	RING, ZOOM	UMZ35-34	1
92	3517454	RING, INDEX	UMZ35-65	1
93	3512134	SPRING, DETENT, 1.5x3.0	S1.5C	1
94	3513637	BALL, STEEL, 1.5	B1.5	1
95	3512094	SETSCREW, 1.7x4.5	AD4.5A	3
96	3517455	RING, APERTURE SETTING	UMZ35-66	1
97K1	3517456	RING, MOUNT LOCKING	UMZ35-97K1	1
97	3517457	RING, MOUNT LOCKING, OUTER	UMZ35-67	1
98	3517458	RING, MOUNT LOCKING, INNER	UMZ35-68	1
99	3512137	SCREW, FLTHD, 1.4x2.3	CCP2.3A	1
100K1	3517459	LOCK ASSY	UMZ35-100K1	1
100	3107974	COVER, MOUNT LATCH	UMZ35-70	1
101	3107975	LATCH, MOUNT	UMZ35-69	1
102	3512157	SCREW, MOUNT LATCH PIVOT	BC21B	1
103	3512158	SPRING, WIRE	S49	1
104	3101426	SCREW, OVLHD, 1.7x4.5	DDP4.5A	2
105	3101427	RING, TRANSFER RING RTNG	UMZ35-61	1
106	3101428	RING, APERTURE TRANSFER	UMZ35-56	1
107K1	3101429	APERTURE TRANSFER ARM ASSY	UMZ35-107K1	1
107	3107976	ARM, APERTURE TRANSFER	UMZ35-57	1

Automatic TX Zoom Lens
35-105mm f/3.5 (UMZ35)

COMPLETE PARTS LIST, Continued

Ref.	Vivitar Part No.	Description	Part Code	Quantity
108	3107977	STUD, RIVETED	PR319	1
109	3101430	FORK (A), ADAPTER COUPLING	UMZ35-59	1
110	3514192	SCREW, FLTHD, 1.7x2.3, BLK	CDP2.3A	6
111	3101431	FORK (B), ADAPTER COUPLING	UMZ35-60	1
112	3101432	FORK (C), ADAPTER COUPLING	UMZ35-58	1
113	3101433	FRAME, MOUNT	UMZ35-64	1
114	3512145	SCREW, LOCK RING LIMIT	BD28	1
115K1	3101434	DIAPHRAGM TRANSFER LEVER ASSY	UMZ35-115K1	1
115	3107978	BRACKET	UMZ35-62	1
116	3107979	RIVET, ECCENTRIC HEAD	PR298	1
117	3107980	LEVER, DIAPHRAGM TRANSFER	UMZ35-63	1
118	3106460	STUD, RIVETED	PR459	1
119	3107981	STUD, RIVETED	PR442	1
120	3107982	RIVET, SHOULDER	PR308	1
121	3512146	SCREW, DRILLED HEAD	TD122A	3
122K1	3101435	REAR COVER PLATE ASSY	UMZ35-122K1	1
122	3107983	PLATE, REAR COVER	UMZ35-71	1
123	3107984	STUD, RIVETED	BU56	1
124	3512273	PIN, DIAPHRAGM COUPLING	PR395	1
125	3107985	LUG, CANON MAX APERTURE	UMZ35-73	1
126	3512601	SCREW, FLTHD, 1.7x2.0, BLK	CDP2A	4
127	3107986	LUG, KONICA MAX APERTURE	UMZ35-72	1
128	3512195	SCREW, FLTHD, 1.7x2.3, CHR	CDP2.3B	3
129K1	3101436	LENS GROUP ASSY, 4TH	UMZ35-129K1	1
129	3107987	HOUSING, FOURTH LENS GROUP	UMZ35-10	1
130	3107988	LENS ELEMENT, 9TH	UMZ35-G9	1
131	3107989	SPACER, 9TH LENS ELEMENT	UMZ35-11	1
132	3107990	LENS ELEMENT, 10TH	UMZ35-G10	1
133	3107991	LENS ELEMENT, 11TH	UMZ35-G11	1
134	3107992	SPACER, 11TH/12TH ELEMENTS	UMZ35-12	1
135	3107993	LENS DOUBLET, 12TH/13TH ELEMENTS	UMZ35-G12/G13	1
136	3107994	RING, 12TH/13TH ELEMENTS RTNG	UMZ35-13	1
137	3101437-1	SPACER, FOCUS, 0.05	UMZ35-50	A/R
137	3101437-2	SPACER, FOCUS, 0.1	UMZ35-50	A/R
137	3101437-3	SPACER, FOCUS, 0.5	UMZ35-50	A/R
137	3101437-4	SPACER, FOCUS, 1.0	UMZ35-50	A/R
138	3101441	DIAPHRAGM BLADE ASSY	Not Issued	6
139	3101442	BLADE OPERATING RING ASSY	Not Issued	1



Prepared by:
Service Engineering Div.

This pdf version created by boggy, June 2014

Vivitar Corporation
Corporate Offices:
1630 Stewart Street, Santa Monica, Ca 90406

Printed in U.S.A.

Vivitar is an International Trademark of Vivitar Corporation