

# Vivitar

---

## Illustrated Parts List



### Exposure Meter Model 45

Publication No. 3746083A / December 1978

## HOW TO USE THIS PUBLICATION

### I. CAUTIONS

This publication is intended for use by persons having the skills and equipment needed to service the subject product(s) safely and correctly. Users are cautioned that special tools and/or test equipment may be required for proper disassembly, reassembly, alignment or adjustment of the product.

#### SPECIAL CAUTION FOR ELECTRICAL PRODUCTS

If the product herein described is electrically operated, its servicing will require extreme caution. Improper handling could result in serious or fatal personal injury or damage to the product.

### II. HOW TO FIND PART ORDER NUMBERS

Parts are illustrated on "exploded" drawings where each part is identified by a reference number (having three digits or fewer) or a designator. These reference numbers appear in numerical order in the parts lists (designators appear alphabetically), where they are cross-referenced to part order numbers and descriptions.

When the initials N.A.S. appear in the "Part Number" column, that part is Not Available Separately, and can be obtained only by ordering the assembly containing it. The part number of that assembly may be shown immediately to the right on the same line, in an "Included in Assembly" column, or at the end of the parts list(s).

### III. HOW TO ORDER PARTS

Please furnish the model number and serial number of the product for which parts are being ordered. For each part requested, please supply part order number, description, and required quantity.

Mail or phone parts orders to:

**Vivitar Central Parts Service**  
2700 Pennsylvania Avenue  
Santa Monica, California 90406

**Telephone: (213) 829-3672**  
or **(213) 870-0181**

## **VIVITAR EXPOSURE METER MODEL 45**

### GENERAL SPECIFICATIONS

Type . . . . .	Incident and reflected light meter, cds cell
Film Speed Range . . . . .	ASA 6 to 25,000 DIN 9 to 45
Shutter Speed Range . . . . .	1/8000 of a second to 8 hours
Aperture Range . . . . .	.f1 to f64
EV Range . . . . .	0 to +18 at ASA 100 (DIN 21)
Movie Scale Range . . . . .	8 to 128 frames per second
Angle of Acceptance . . . . .	50°
Battery . . . . .	Mercury, Eveready (EPX 675), Mallory (PX 675)

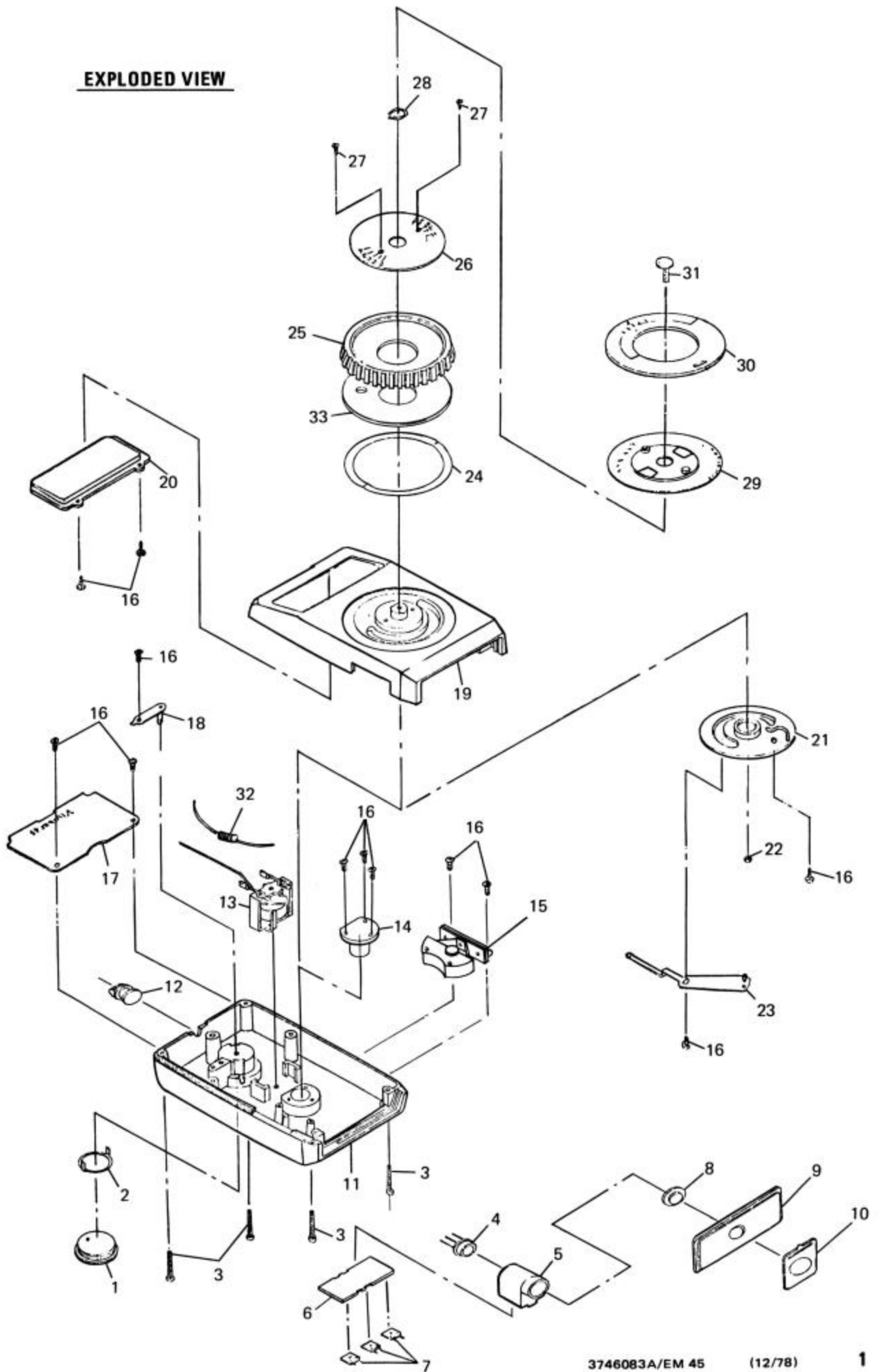
**CORRECTION SHEET NO. 10**

**VIVITAR EXPOSURE METER MODEL 45  
PUBLICATION NO. 3746083A SUPERSEDES PUBLICATION NO. 3746083**

Parts Manual (P/N 3746083A) for Vivitar Exposure Meter Model 45 supersedes and completely replaces the earlier Parts Manual (P/N 3746083).

Remove from your files and discard Parts Manual (P/N 3746083) for Vivitar Exposure Meter Model 45.

**EXPLODED VIEW**



PARTS LIST

VIVITAR EXPOSURE METER  
MODEL 45

REFERENCE	DESCRIPTION	PART ORDER NUMBER
1	LID, BATTERY	3101101
2	CONTACT, BATTERY (-)	3101102
3	SCREW A, M2	3101103
4	CELL, CDS	3101104
5	CYLINDER, LIGHT ACCEPTING	3101105
6	BOARD, PRINTED CIRCUIT	3101106
7	RESISTOR, VARIABLE	3101107
8	WINDOW, LIGHT ACCEPTING	3101108
9	PLATE, CELL MOUNTING	3101109
10	DIFFUSOR, INCIDENT LIGHT	3101110
11	CASE, BOTTOM	3101111
12	STRAP, SWIVEL	3101112
13	MOVEMENT, METER	3101113
14	SOCKET, TRIPOD	3101114
15	SWITCH ASSY	3101115
16	SCREW B, M2	3101119
17	PLATE, MASK	3101123
18	CONTACT, BATTERY (+)	3101124
19	CASE, UPPER COVER	3101126
20	WINDOW	3101127
21	PLATE, CAM	3101128
22	NUT, M3	3101129
23	NEEDLE, MATCH	3101130
24	WASHER SPRING	3101131
25	KNOB, CALCULATOR	3101132
26	ASA, SCALE	3101133
27	SCREW	3101134
28	WASHER SPRING	3101135
29	T-SCALE	3101136
30	F-SCALE	3101140
31	SCREW, DIAL FIXING	3101141
32	RESISTOR, CRBN COMP, 1.1K, 1/8W	3103462
33	PLATE, SCUFF	3103463



Prepared by:  
Technical Publications Department

Vivitar Corporation  
Corporate Offices:  
1630 Stewart Street, Santa Monica, Ca 90406

Printed in U.S.A.

Vivitar is an International Trademark of Vivitar Corporation

This pdf version created by boggy, November 2015.