

# Vivitar.

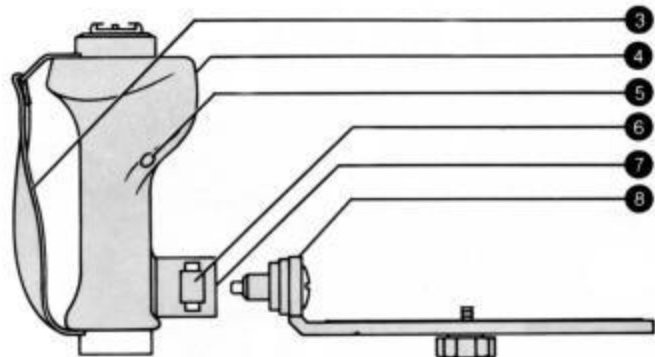
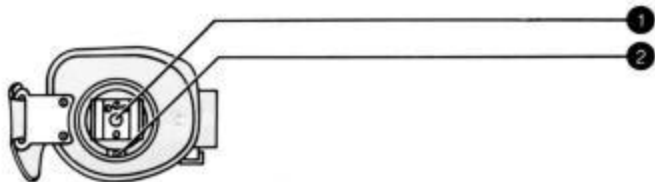
**Quick Release Pistol Grip  
Stützgriff mit Rapid-Ausklinkung**

**Poignée Revolver à  
Dégagement Rapide**

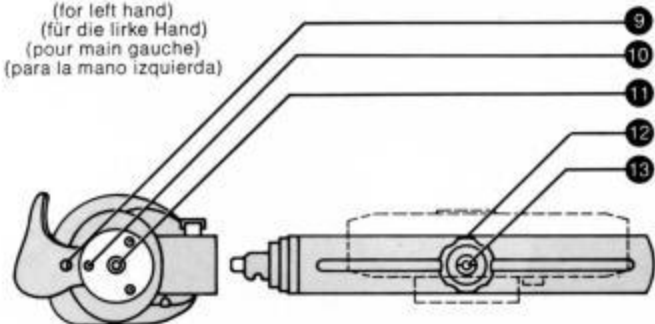
**Manija Tipo Pistola de  
Desconexión Rápida**



Instructions  
Anleitungen  
Mode d'emploi  
Instrucciones



(for left hand)  
 (für die linke Hand)  
 (pour main gauche)  
 (para la mano izquierda)



Bottom of Grip  
 Griffboden  
 Base de la poignée  
 Parte inferior de la manija

Bracket (35mm)  
 Schiene (35mm)  
 Support (35mm)  
 Soporte (35mm)



# Vivitar

## Quick Release Pistol Grip

(for 35mm or 2¼ x 2¼ cameras)

The Vivitar Quick Release Pistol Grip gives you a "handle" on flash photography! It provides you with comfortable, stable flash/camera support and versatile off-camera flash — in a "snap." The contour grip couples to either the Vivitar 35mm or 6x6 camera bracket and has a 3-position adjustable hand strap for extra comfort. The flash shoe rotates 360° enabling you to aim in any direction for bounce or direct lighting. The grip is also tooled for the optional Vivitar Cable Release. The Vivitar Quick Release Pistol Grip is *the* way to shoot with electronic flash.

### Description of Parts

- |                       |   |
|-----------------------|---|
| 1 Flash Shoe          | 9 Eyelet  |
| 2 Window              | 10 Bottom Screw<br>You only need to remove this screw for adjustments |
| 3 Hand Strap          | 11 Grip Socket  |
| 4 Handle              | 12 Mounting Knob  |
| 5 Cable Pocket (exit) | 13 Thread Adapter   |
| 6 Release Button      |   |
| 7 Receiver            |   |
| 8 End Plate           |   |

### Attaching the Bracket

Two Vivitar camera brackets are available for use with the Pistol Grip — the 35mm and 6x6 (for 2¼ x 2¼ cameras). To attach either one to the grip, snap the bracket end plate ⑧ into the grip receiver ⑦. To remove the bracket, push the release button ⑥. "Quick release" enables you to get

off-camera flash instantly. Combine this capability with the rotating flash shoe and you can tilt and turn your flash unit in any direction.

## Adjusting the Hand-strap

Using a screwdriver, *remove* the bottom screw ⑩ which holds the strap in place. Grasp the handle ④ and adjust the strap for a comfortable fit by aligning one of the three eyelets ⑨ with the screw hole in the bottom of the grip. Insert the screw and tighten securely.

## Mounting Your Camera to the Bracket

The Vivitar camera brackets have a large mounting knob and rubber grip that hold your camera to the bracket securely. Mount your camera by screwing the mounting knob ⑤ into your camera tripod socket. Before tightening the knob, position the camera on the bracket for proper balance. *Do not overtighten.*

## Rotating Flash Shoe

The flash shoe rotates 360° and has click stops marked numerically every 45 degrees as indicated in the window ②. Mount your flash unit on the shoe ① and connect it to the camera's flash synch terminal with a PC cord. The flash unit can be rotated on the shoe enabling you to bounce light off walls and other reflective surfaces. Some electronic flash units, such as the Vivitar 283, have remote sensors that allow aiming the flash in any direction and still retain *automatic exposure control*. For off-camera flash, you can separate your camera and the flash *up to* the distance of the shortest connecting cord. For example, if the only connecting cord you were using was a three-foot PC cord, you could move your flash up to three feet away from the camera. If you added a *shorter* cable release (in the grip) you would then have off-camera flash up to the length of the cable release.

## Tripod Mounting

The bottom of the bracket mounting knob has a standard ¼ -20 tripod mounting socket. If your tripod has larger

threading, *remove* the thread adapter ⑬ with a screwdriver. The base of the pistol grip also has a socket ⑭ so that you can attach a light stand or tripod when using the grip as an off-camera flash unit.

## **Cable Release**

The Quick Release Pistol Grip is tooled for the *optional* Vivitar Cable Release (other cable releases *may* also work). Vivitar's cable release has a soft plastic neck that fits snugly into the pocket ⑮. Slide the cable release through the pocket and connect the end of the cable to your camera's shutter release. You now have shutter release and flash lighting control all in one hand.

# **Vivitar**

is an International Trademark of Ponder & Best, Inc.  
Santa Monica, CA 90406 USA

Subsidiary Companies:

Vivitar Japan, Ltd. / Tokyo, Japan

Vivitar Photo-Elektronik GmbH / Frankfurt, W. Germany

Vivitar /UK/ Ltd. / London, England

3/76 Printed in U.S.A. Part No. 205  
Gedruckt in U.S.A. Bestellnr. 205  
Imprimé aux U.S.A. No. de pièce 205  
Impreso en U.S.A. Pieza No. 205